

**LAUREL CANYON
(HOLLYWOOD, CALIFORNIA)**

SCALE 1" = 100'
CONTOUR INTERVAL: 2FT.
PHOTO DATE: 8-26-06

THIS MAP HAS BEEN PHOTOGRAMMETRICALLY COMPILED FROM 1" = 500' SCALE, 153.189 MM C.F.L. AERIAL PHOTOS TO MEET NATIONAL MAP ACCURACY STANDARDS AT 1" = 100' SCALE. PUBLICATION OR USE AT ANY OTHER SCALE WILL VOID ANY IMPLIED OR STIPULATED ACCURACY STANDARDS. THIS MAP HAS NOT BEEN VERIFIED BY FIELD CHECKS. NOTE: FIELD VERIFICATION OF MAP ACCURACY SHOULD OCCUR PRIOR TO DESIGN LEVEL TASKS THAT ARE DEPENDENT UPON THIS MAP. ACCURACY INSIDE GROUND NOT VISIBLE AREA MAY VARY IN ACCORDANCE WITH NATIONAL MAP ACCURACY STANDARDS (NMAS).

HORIZONTAL DATUM: LOCAL ASSUMED
VERTICAL DATUM: LOCAL ASSUMED
UNITS: US SURVEY FT
HORIZONTAL AND VERTICAL CONTROL

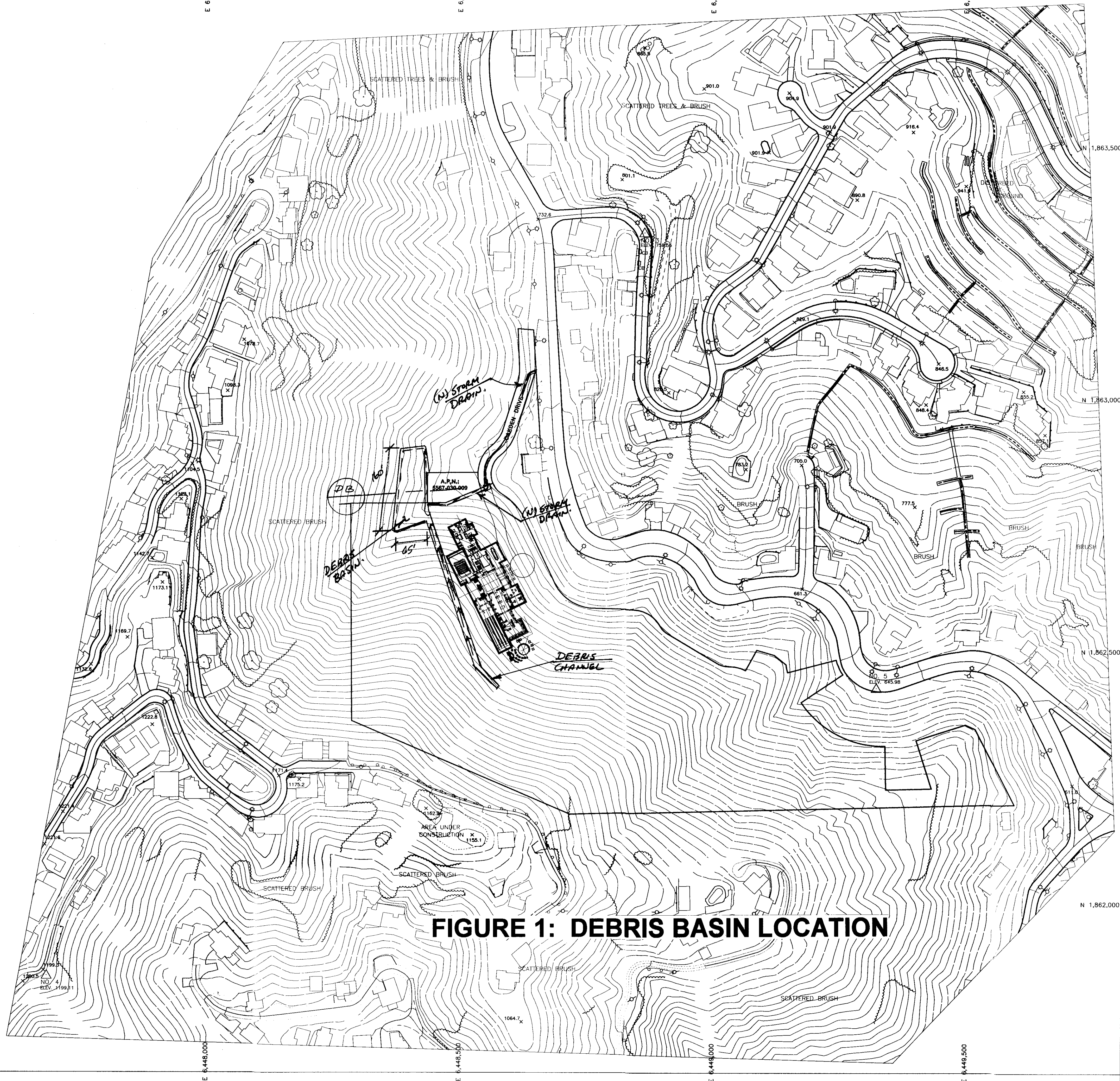
PROVIDED BY:
KHATRI INTERNATIONAL INC.
3452 E. FOOTHILL BLVD.
PASADENA, CA 91107
PHONE: (626) 685-9480
PHOTOGRAMMETRY BY:
3Di West GeoTerra, Inc.
EUGENE, OR, 97402
(541)343-8877

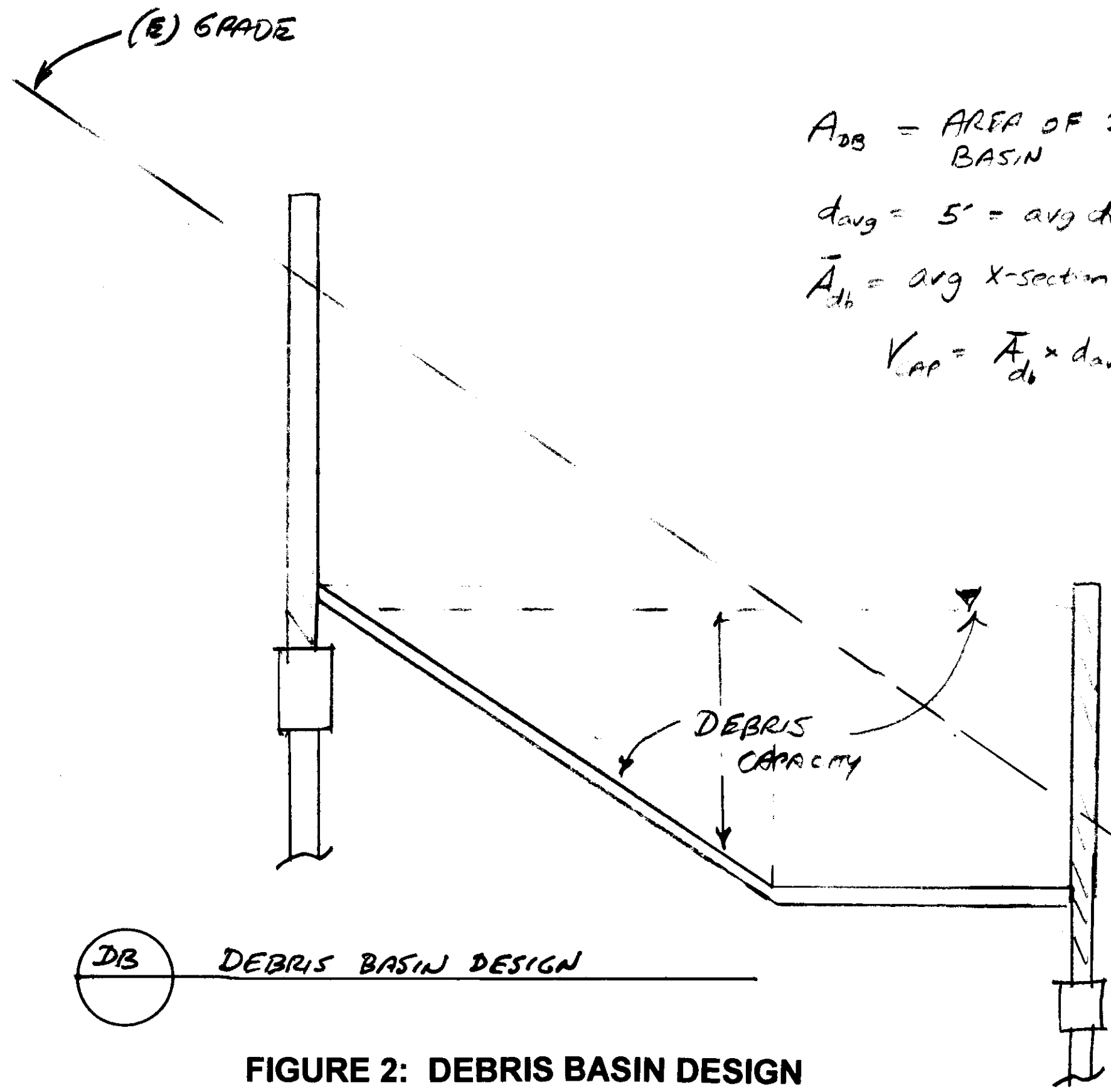
3Di West
GeoTerra Mapping Group



SHEET 1 OF 1
JOB# 06-233

K KHATRI INTERNATIONAL, INC.
CIVIL & STRUCTURAL ENGINEERS
3452 E. FOOTHILL BLVD. STE.340
PASADENA, CA 91107
OFF: 626-685-9480 FAX: 626-685-9483
dkhatri@aol.com www.khatrinternational.com





$$A_{DB} = \text{AREA OF DEBRIS BASIN} = 160' \times 65' = 10,400 \text{ FT}^2$$

$$d_{avg} = 5' = \text{avg depth of basin}$$

$$\bar{A}_{db} = \text{avg X-section Area of DB} = \frac{A_{DB}}{2} = 5,200 \text{ FT}^2$$

$$V_{CAP} = \bar{A}_{db} \times d_{avg} = 5,200 \times 5' = 26,000 \text{ FT}^3$$

$$V_{CAP} = \frac{26,000}{27} = \underline{\underline{962 \text{ CY.YD.}}}$$

DB DEBRIS BASIN DESIGN

FIGURE 2: DEBRIS BASIN DESIGN

K KHATRI INTERNATIONAL, INC.
 CIVIL & STRUCTURAL ENGINEERS
 3452 E. FOOTHILL BLVD. STE.340
 PASADENA, CA 91107
 OFF: 626-685-9480 FAX: 626-685-9483
 dkhatri@aol.com www.khatrinternational.com